

## GFT-R Stainless Steel Handle

### Features

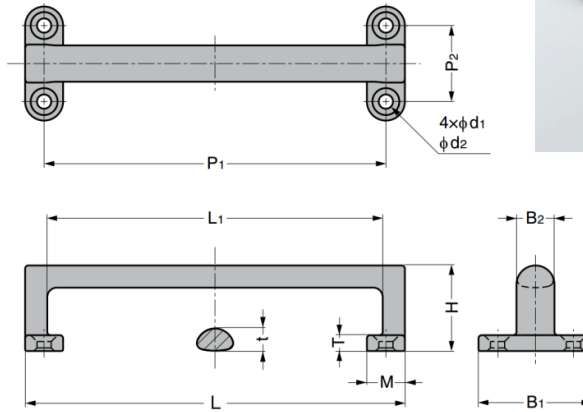
- A rounded handle for a comfortable grip
- Wide grip

### Material

- Stainless steel 304, polished

### Parts Included

- **GFT-R-120:** Raised countersunk head tapping screw 4×15 (SUS)
- **GFT-R-160:** Raised countersunk head tapping screw 5×20 (SUS)



Part No.	L	L <sub>1</sub>	B <sub>1</sub>	B <sub>2</sub>	H	T	t	M	P <sub>1</sub>	P <sub>2</sub>	d <sub>1</sub>	d <sub>2</sub>
<b>GFT-R-120</b>	120	106	36	12	27	5	7	12	108	24	4.5	8.5
<b>GFT-R-160</b>	160	142	48	16	36	6.5	9	16	144	32	5.5	10.5

## GFT-T Stainless Steel 316 Handle

### Features

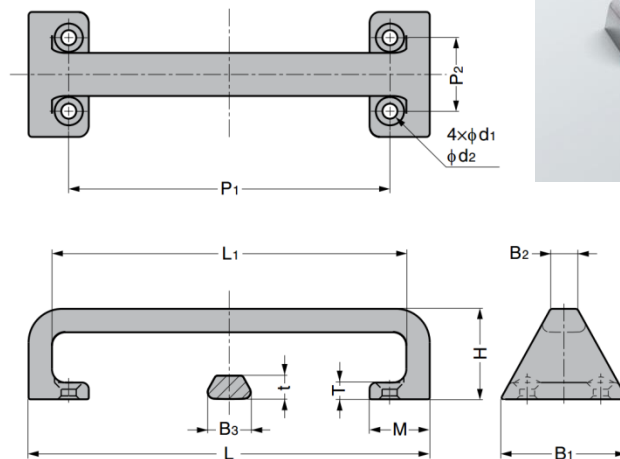
- Solid grip with rounded inside edges for easy gripping
- Wide grip

### Material

- Stainless steel 316, polished

### Parts Included

- **GFT-T-120:** Raised countersunk head tapping screw 4×15 (SUS)
- **GFT-T-170:** Raised countersunk head tapping screw 5×20 (SUS)
- **GFT-T-220:** Raised countersunk head tapping screw 6×25 (SUS)



Part No.	L	L <sub>1</sub>	B <sub>1</sub>	B <sub>2</sub>	B <sub>3</sub>	H	T	t	M	P <sub>1</sub>	P <sub>2</sub>	d <sub>1</sub>	d <sub>2</sub>
<b>GFT-T-120</b>	120	105	40	10	15.1	28.5	5.5	7.5	19	96	24	4.5	8.5
<b>GFT-T-170</b>	170	150	54	12	18.7	38	7	10	25.5	135	32	5.5	10.5
<b>GFT-T-220</b>	220	200	70	15	24.3	49.5	9	13		176	41	6.5	12.5